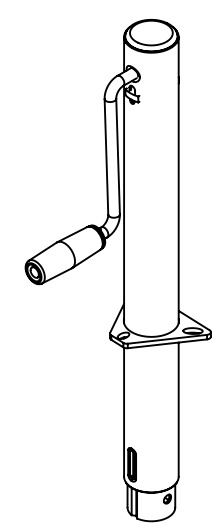
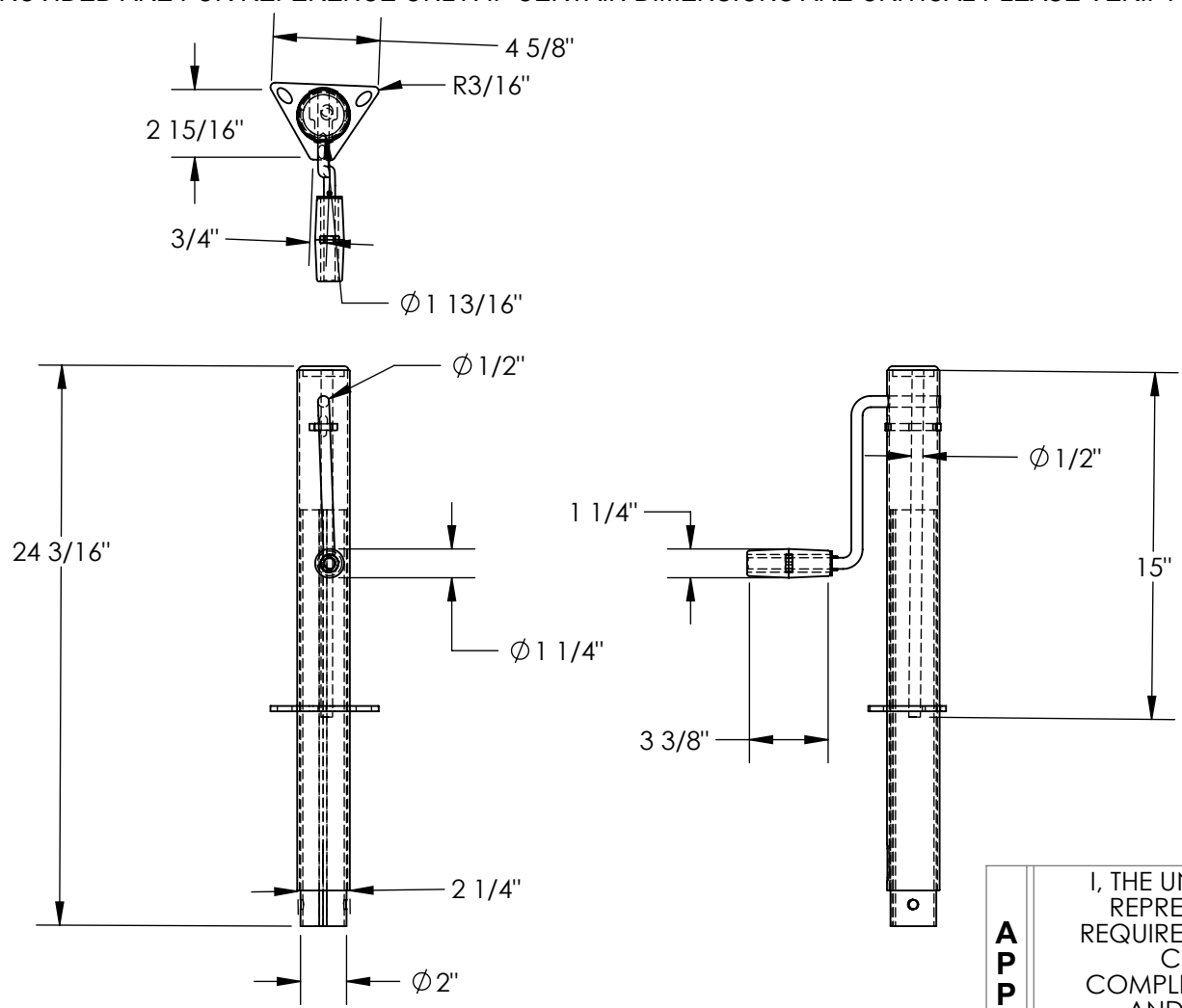


TRAILER JACK (FJ-K2)

APPROX WEIGHT: 10.27 lbs.
 DOES NOT INCLUDE WEIGHT OF POWER OR PACKAGING!!!

*** ANY ADDITIONS, DELETIONS, OR OMISSIONS MUST BE CORRECTED ON THIS DRAWING AS THIS DRAWING WILL BE CONSIDERED ALL INCLUSIVE ***

ALL GRAPHICS PROVIDED ARE FOR REFERENCE ONLY. IF CERTAIN DIMENSIONS ARE CRITICAL PLEASE VERIFY THOSE DIMENSIONS WITH YOUR SALESPERSON



STANDARD FEATURES

- MODEL NUMBER IS FJ-K2
- OVERALL WIDTH IS 4 5/8"
- OVERALL LENGTH IS 39 3/16"
- RAISED HEIGHT IS 39 3/16"
- LOWERED HEIGHT IS 24 3/16"
- LIFT RANGE IS 15"
- MAX CAPACITY IS 2000 lbs.
- MOUNT: A-FRAME
- CRANK POSITION: SIDE

SPECIAL FEATURES

NONE

DIMENSION TOLERANCE ± 1/4"

A P P R O V A L

I, THE UNDERSIGNED, AGREE THAT THE PRODUCT AS REPRESENTED SATISFIES DESIGN AND DIMENSION REQUIREMENTS. I ALSO ACKNOWLEDGE MY DUTY TO CONFIRM PRODUCT AND INSTALLATION COMPLIANCE WITH ALL APPLICABLE FEDERAL, STATE AND LOCAL REGULATIONS AND STANDARDS.

ALL SPECIAL UNITS ARE NON-RETURNABLE

[] As drawn [] As marked

Signed: _____ Date: _____

LEAD TIME WILL START UPON RECEIPT OF SIGNED APPROVAL DRAWING

DISTRIBUTOR'S NAME:		P.O.#
VESTIL MANUFACTURING		X
DRAWN BY: S. HAMBLEN		DATE: 08/07/12
REFERENCE: X		SCALE: 1:8
QUOTED LEAD TIME: X	QUOTE #	FILE NAME:
X	X	13-007-052